

Unbeaten Durability: BOGE SL Series.



Low maintenance thanks to direct drive: the most efficient way to produce compressed air!



TOUGH PERFORMER

Where other compressors buckle under stress, BOGE's SL screw compressors deliver top performance: Even in very dusty environments (e.g. in the cement industry or in mining), the direct drive stays the course and achieves maximum annual operating hours in 24/7 operation.



HARD TO STOP

As SL screw compressors operate without belts or gears, maintenance costs are reduced. This is not only good for the budget, but also reduces downtime. And when it comes to durability and operating reliability, the SL series boasts top values.



EASY TO CONTROL

As an optional extra, for the SL series, the new modular **focus 2.0** control makes its debut: This most advanced control system within the industry not only spoils users with an intuitive user interface. In addition to efficiency displays and the BOGE leakage monitor, it even offers RFID access for the first time.



CLEARLY SUPERIOR

Long maintenance intervals are not the only design benefit of the SL series: Thanks to the particularly low power consumption of the drive motor, these compressors score with phenomenal efficiency values. In line with market requirements, the standard design is set to 7.5 bar.

Completely immune to dust: With their direct drive, screw compressors in the BOGE SL series are ideal for applications under difficult conditions. The wear-free, low-maintenance power transmission guarantees optimum values in terms of efficiency and economic viability, as transmission losses are excluded with this method of compressed air generation! For those who demand the highest standards of efficiency, durability and operating reliability, there is no better option than these models.

**BOGE Compressed Air Systems
GmbH & Co. KG**

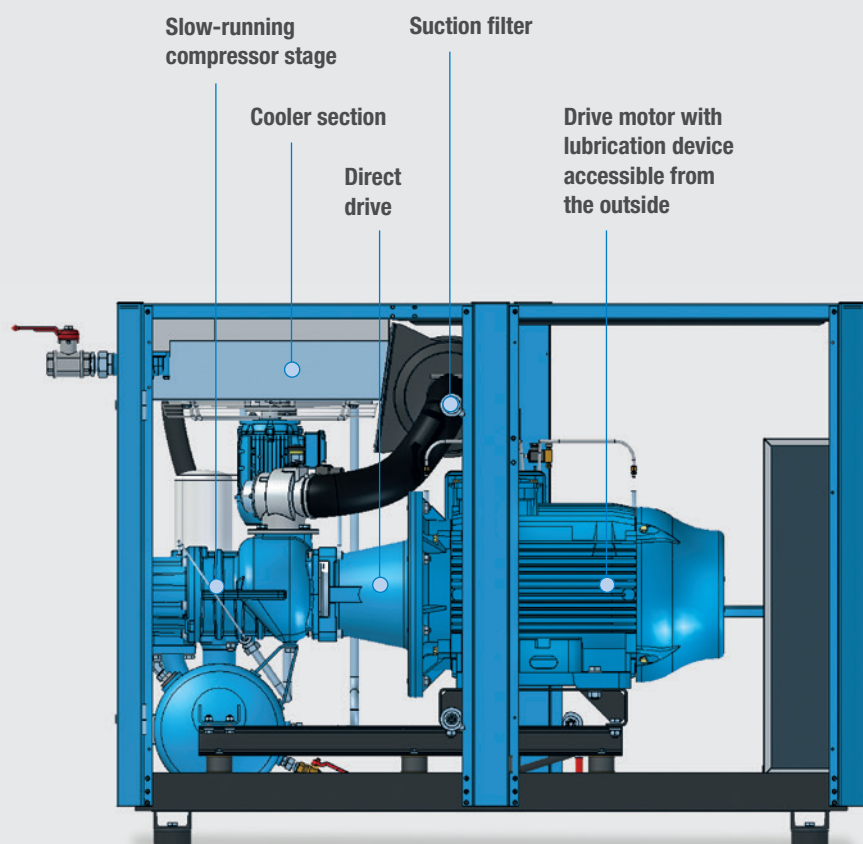
P.O. Box 10 07 13 · 33507 Bielefeld
Otto-Boge-Straße 1–7 · 33739 Bielefeld
Tel. +49 5206 601-0
Fax +49 5206 601-200
info@boge.com · www.boge.com

HOW IT WORKS

Atmospheric air is taken in through the supply air filtration system of the compressor housing and the suction filter and routed to a particularly slowly rotating compressor stage, which always operates at the optimum design point – ensuring particularly efficient compressed air generation without transmission losses.



Ideal as an efficient base-load compressor, such as when 24/7 operation is required in an environment with a particularly high dust load.



BOGE SL SERIES AT A GLANCE

BOGE Type	Maximum pressure		Effective free air delivery*		Main drive		Fan motor		Dimensions W x D x H mm	Weight kg
	bar	psig	m ³ /min	cfm	kW	PS	kW	PS		
SL 31-3	7.5	109	3.96	140	22	30	0.75	1	1625 x 990 x 1450	780
SL 75-3	7.5	109	8.75	309	55	75	2.2	3	2010 x 1100 x 1460	1460
SL 101-3	7.5	109	14.19	501	75	100	2.2	3	2400 x 1370 x 1760	2080

* Free air delivery of the overall system according to ISO 1217, appendix C, at an ambient temperature of 20°C and the pressure concerned.
Emitted sound pressure values from 64 dB(A) according to DIN EN ISO 2151:2009.

Please also see our SL models SL 270, SL 340, SL 341, SL 431, SL 481, SL 181-3, SL 221-3 and SL 271-3.